



NUMBER: 23-026-03

GROUP: Body

DATE: October 24, 2003

This bulletin is supplied as technical information only and is not an authorization for repair. No part of this publication may be reproduced, stored in a retrieval system, or transmitted, in any form or by any means, electronic, mechanical, photocopying, or otherwise, without written permission of DaimlerChrysler Corporation.

THIS BULLETIN IS BEING PROVIDED IN ADVANCE. DO NOT ORDER PARTS OR PERFORM ANY ACTIONS RELATED TO THIS BULLETIN UNTIL NOVEMBER 07, 2003.

SUBJECT:

New Snap-In Retainer To Improve Retention Of Mopar Air Deflector To Hood

OVERVIEW:

This bulletin involves the replacement of the front air deflector plastic snap-in retainers.

MODELS:

1999 - 2004 (WJ) Grand Cherokee (Domestic Markets)

SYMPTOM/CONDITION:

The Mopar front molded air deflector (bug shield) accessory is fastened to the underside of the hood. The inner hood panel has four slots to accommodate the air deflector plastic snap-in retainers. The customer may notice that the plastic snap-in retainers do not fully seat to the slots in the hood inner panel.

DIAGNOSIS:

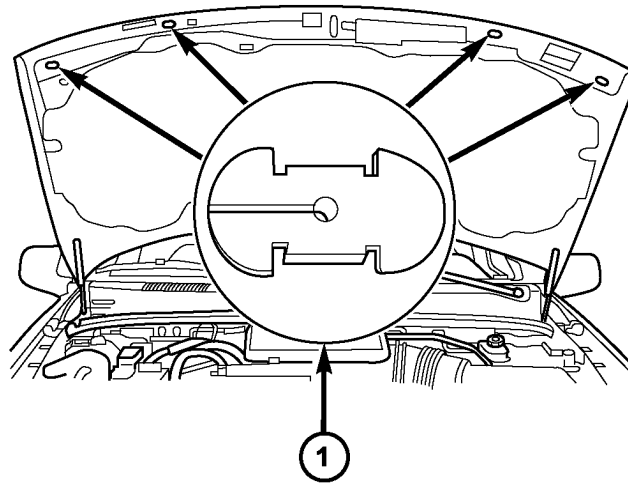
If the plastic snap-in retainers for the Mopar air deflector are not fully seated to the slots in the hood inner panel, perform the Repair Procedure.

PARTS REQUIRED:

Qty.	Part No.	Description
1	05134664AA	Package, Plastic Snap-In Retainer (4)

REPAIR PROCEDURE:

1. Remove the four (4) fasteners securing the air deflector to the hood and remove the air deflector (Fig. 1).
2. Install the new plastic snap-in retainers, p/n 05134664AA.
3. Install the air deflector to the hood.



81336fcd

Fig. 1 SNAP-IN RETAINER & HOOD SLOTS

1 - Snap-In Retainer

POLICY:

Reimbursable within the provisions of the warranty.

TIME ALLOWANCE:

Labor Operation No:	Description	Amount
23-99-15-92	Snap-In Fastener, Front Molded Air Deflector - Replace All Four	0.2 Hrs

FAILURE CODE:

27	Damaged
----	---------