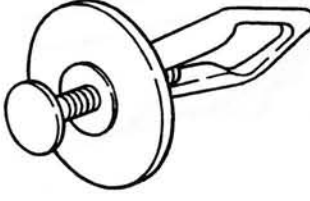
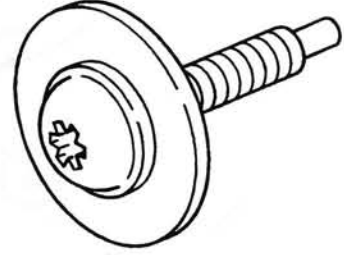

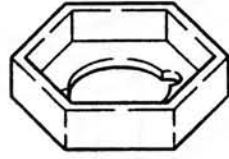
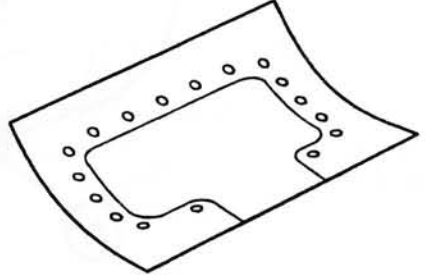
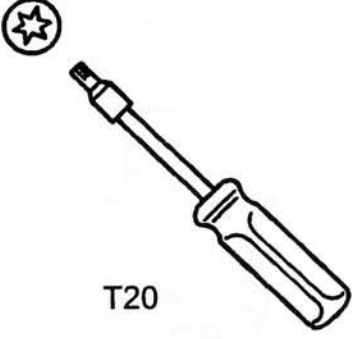
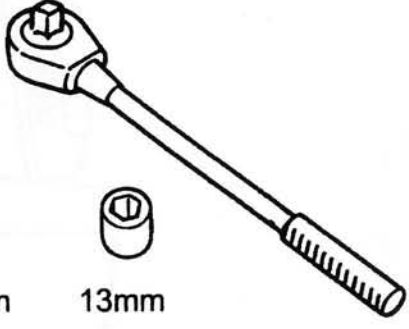

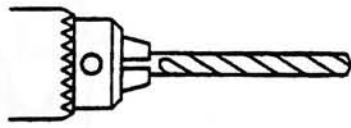
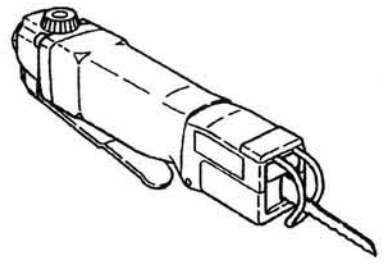
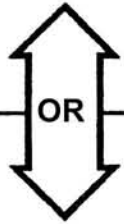
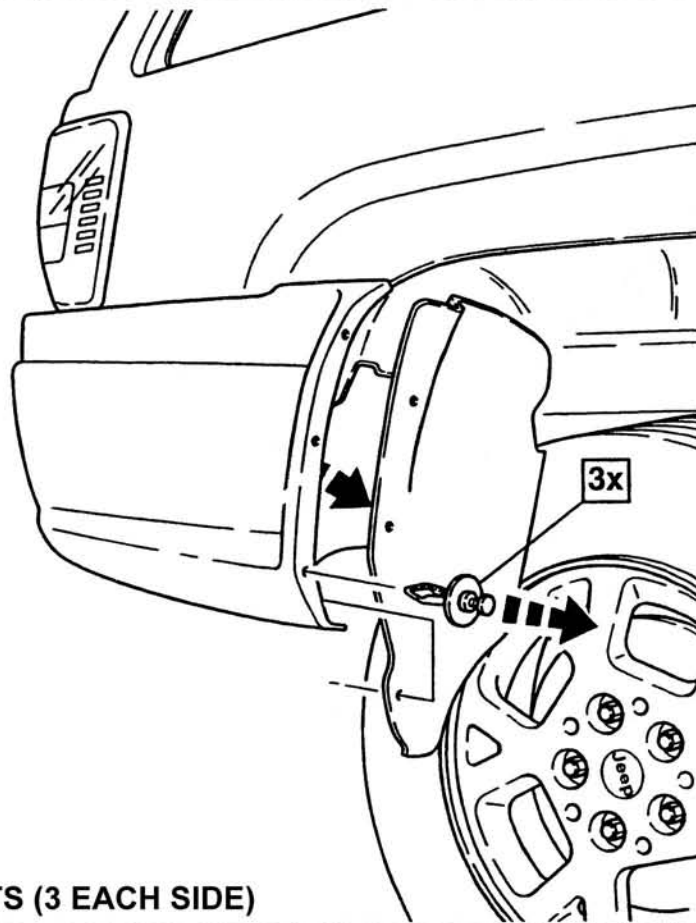
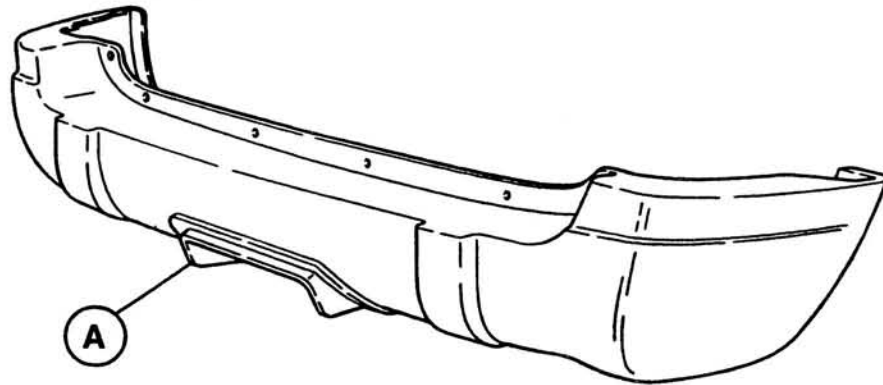
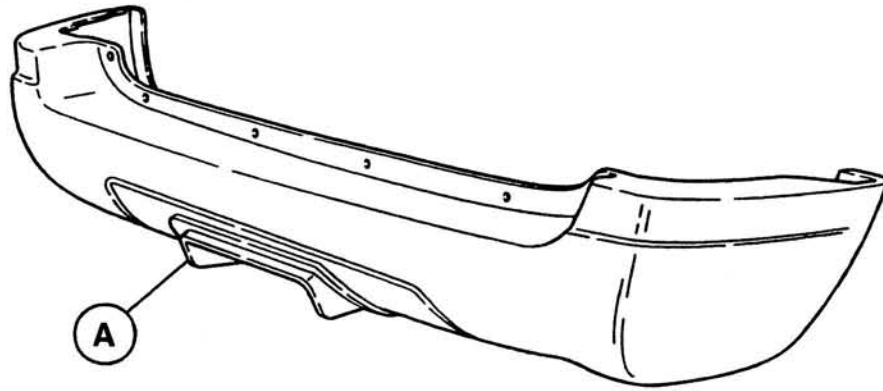
 <p>A BEZEL</p>	 <p>B 8x PIN FASTENER</p>	 <p>C 2x TORX SCREW</p>
 <p>D 4x NUT</p>	 <p>E 14x LOCK NUT</p>	 <p>F TEMPLATE</p>
 <p>T20</p>	 <p>10mm 13mm</p>	
	 <p>5/16</p>	

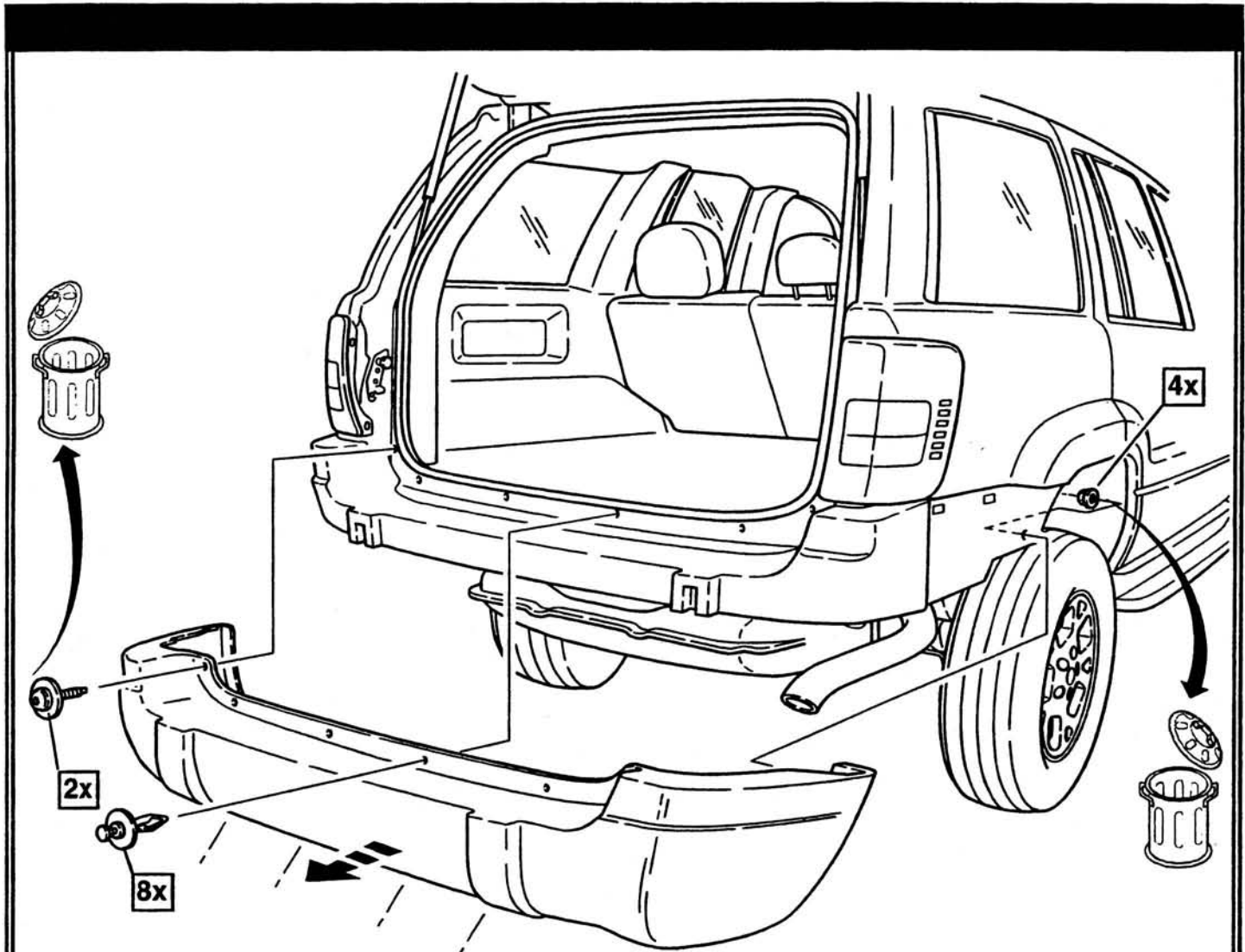
LIMITED



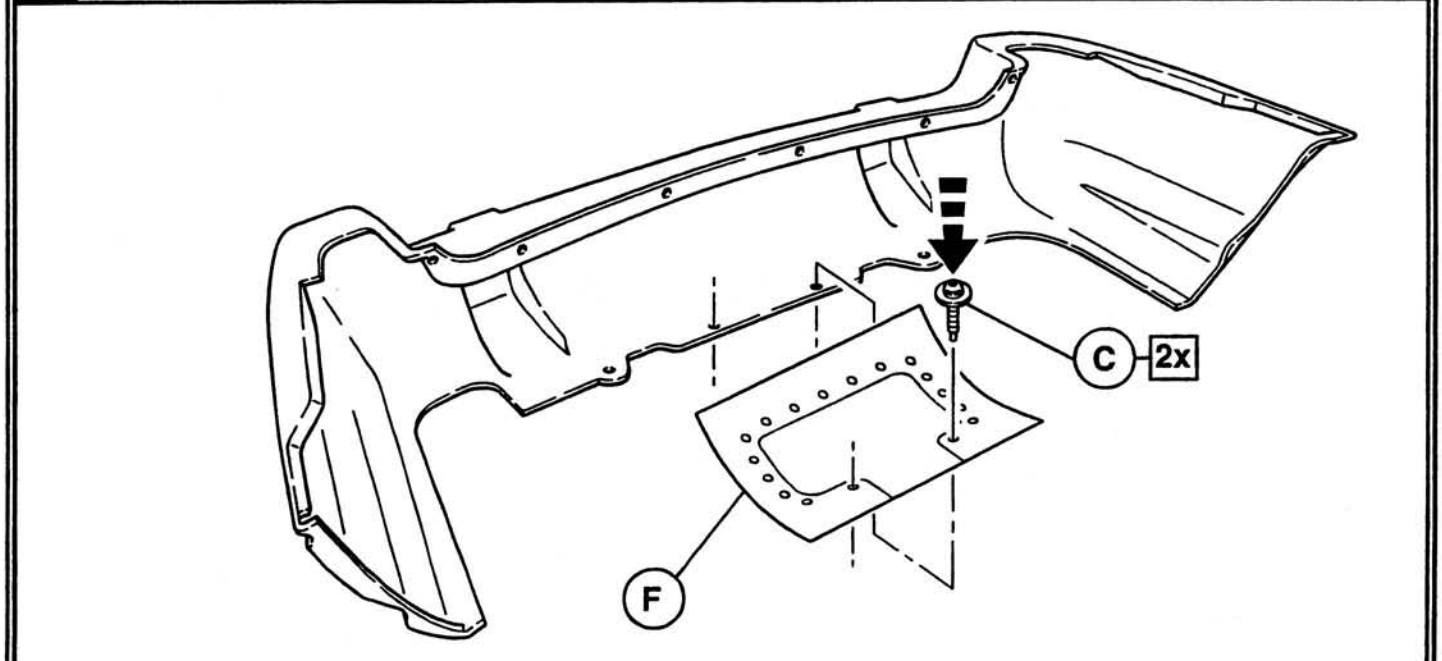
LAREDO



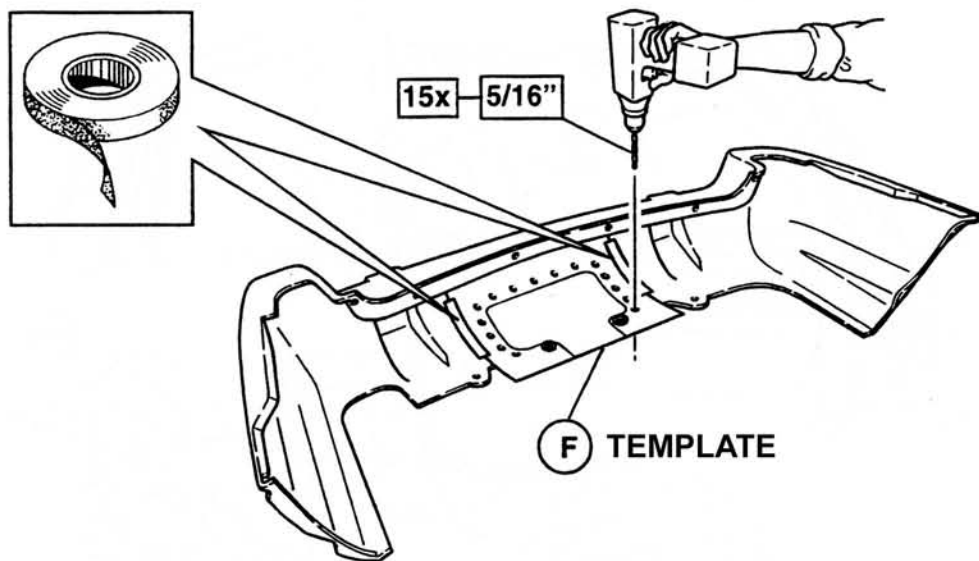
1 REMOVE FASCIA RIVETS (3 EACH SIDE)



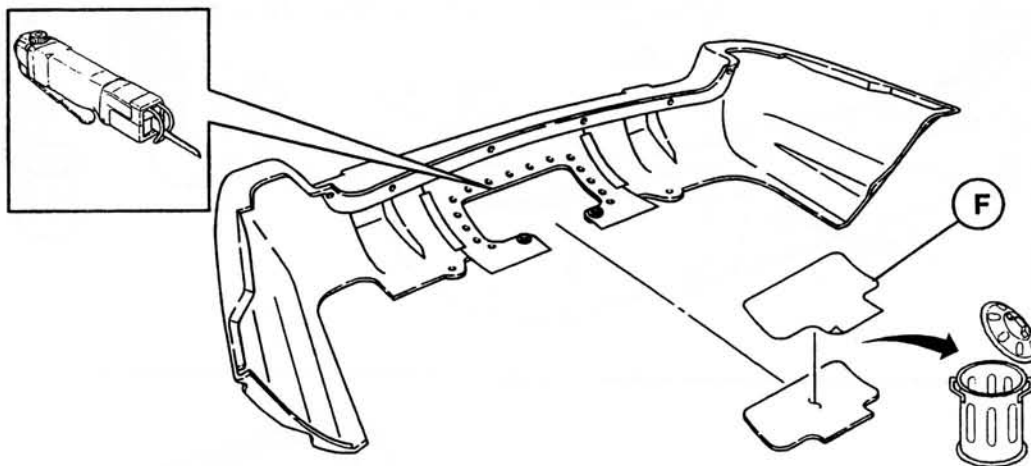
2 REMOVE REAR FASCIA



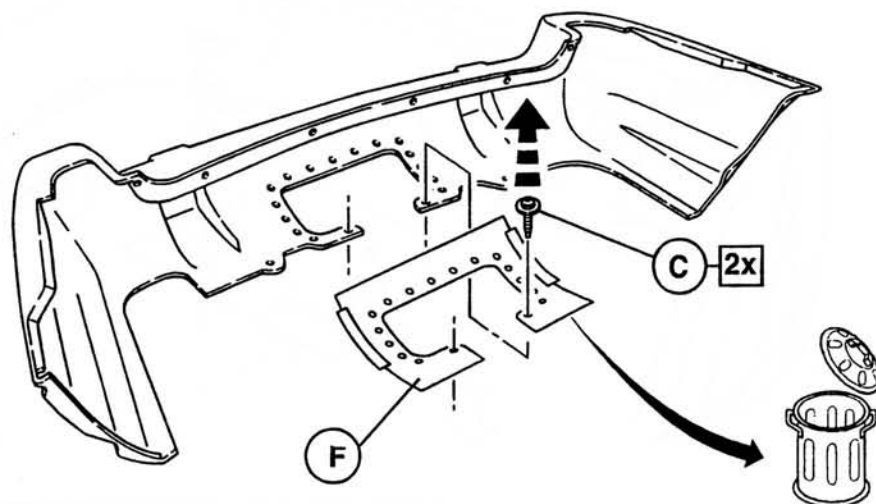
3 ATTACH TEMPLATE TO BACK OF FASCIA WITH 2 SCREWS



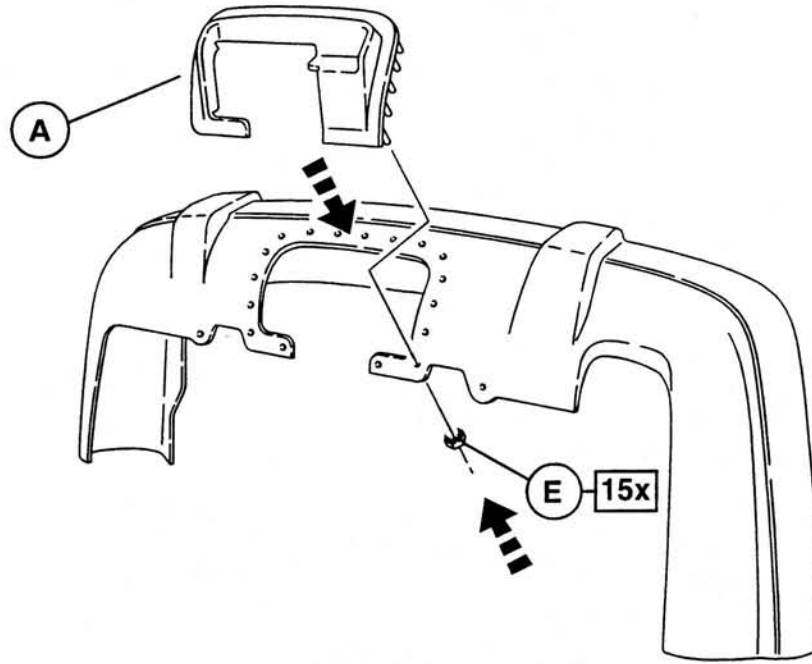
4 TAPE DOWN EDGES OF TEMPLATE; DRILL 15 HOLES THROUGH TEMPLATE



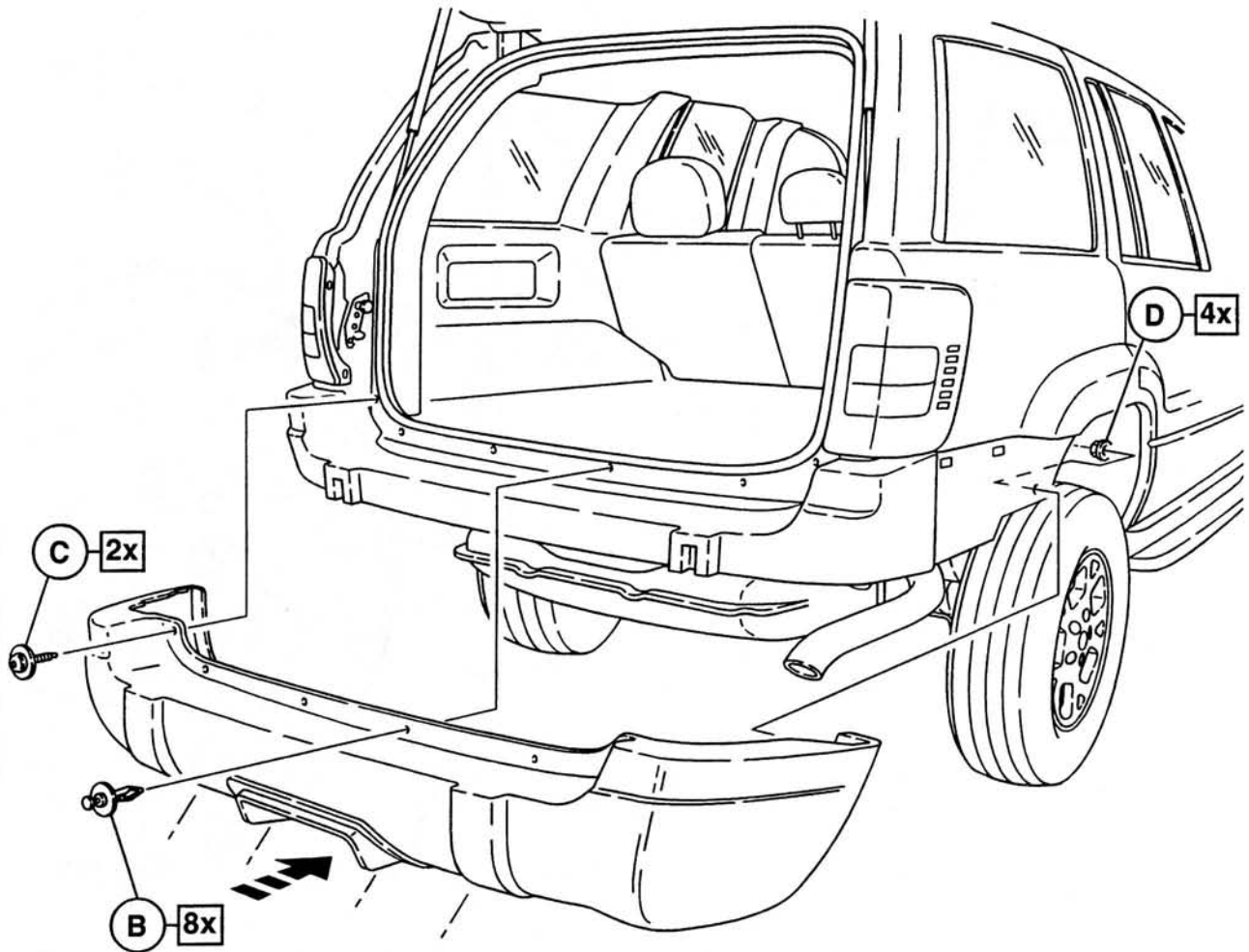
5 CUTOUT CENTER PORTION AND DISCARD



6 REMOVE TEMPLATE SCREWS AND DISCARD TEMPLATE

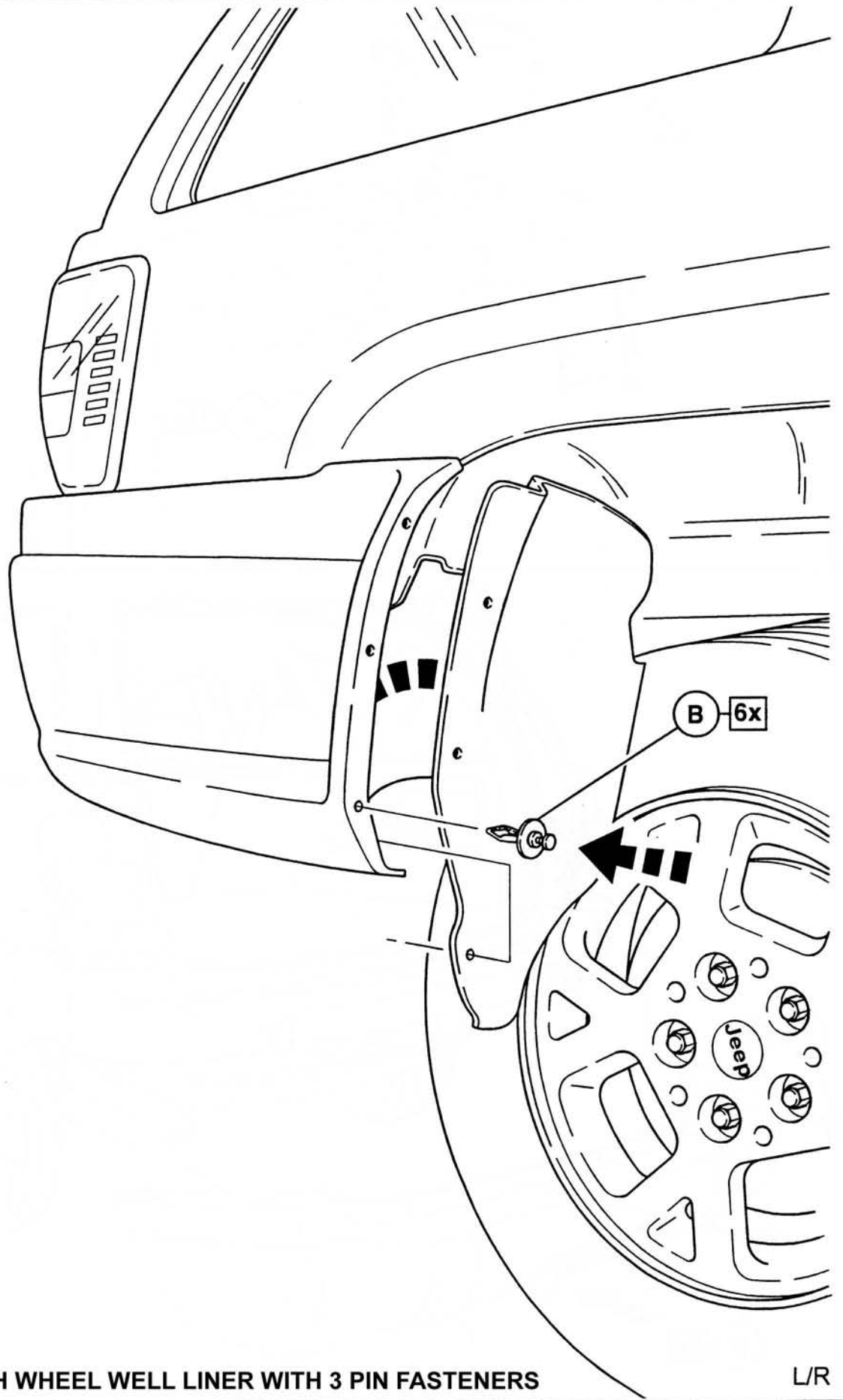


7 ATTACH BEZEL TO FASCIA AND INSTALL 15 LOCK NUTS



8 REINSTALL FASCIA WITH 2 SCREWS, 8 PIN FASTENERS AND 4 NUTS

L/R



9 ATTACH EACH WHEEL WELL LINER WITH 3 PIN FASTENERS

L/R